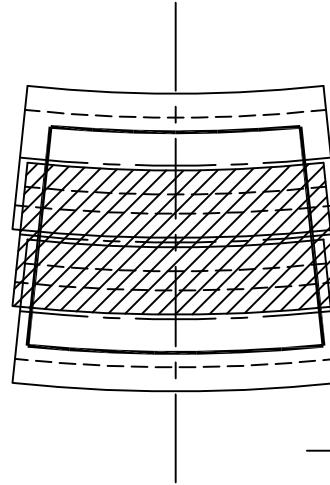


Copyright (c) 2001
TERRAMETRA RESOURCES
All Rights Reserved

DATUM: NAD83
 ZONE: COLORADO CENTRAL
 STATION: UTE
 ϕ 39°47'07.93421"N
 λ 106°04'37.76108"W
 R _____:
 $\gamma(\theta)$ _____:
 $N(y)$ _____:
 $E(x)$ _____:
 k _____:



R_b _____:
 N_b _____:
 $E_o(C)$ _____:
 $\sin(\phi_o)$ _____:

